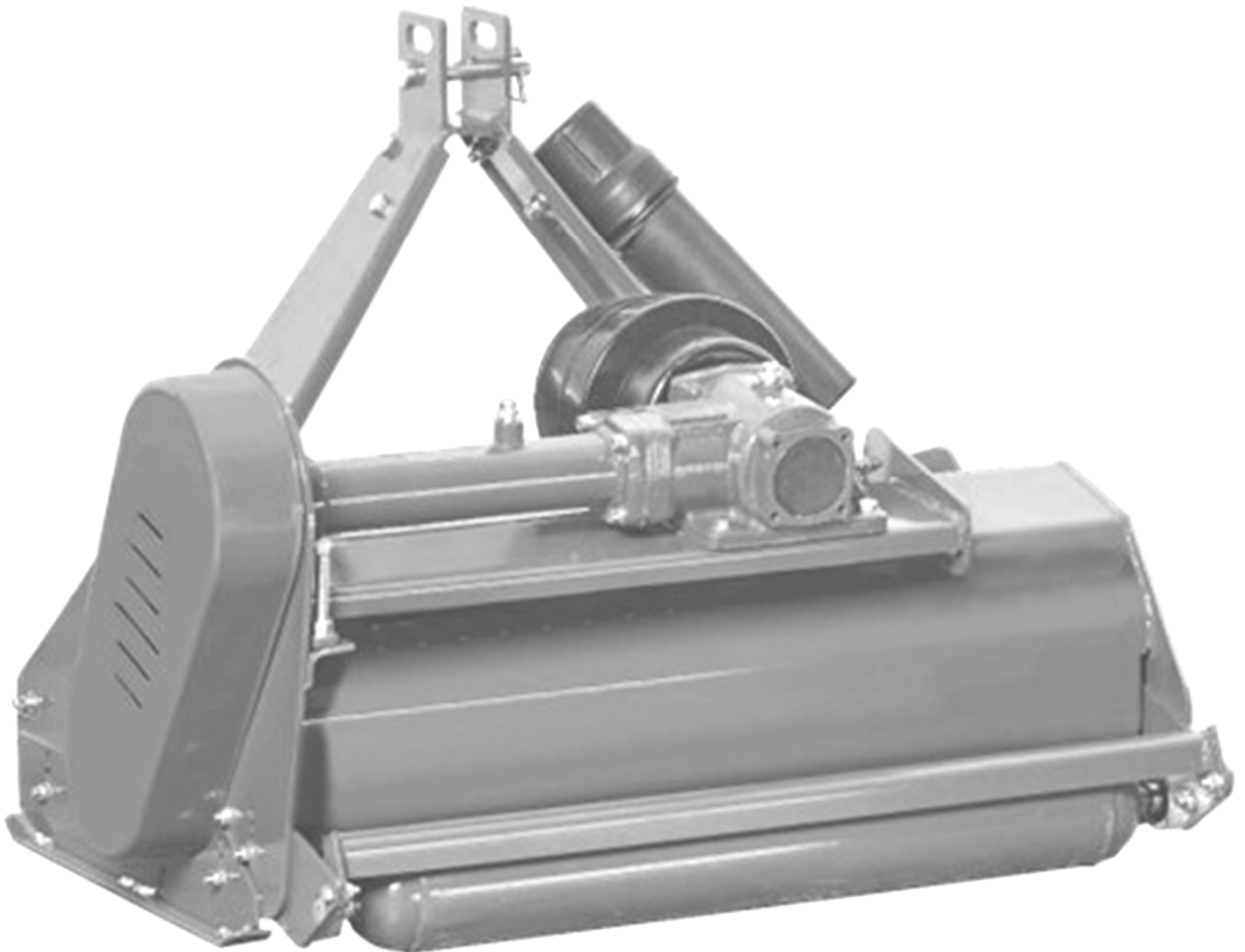




PO Box 1200  
305 Commerce Drive  
Winfield, Alabama 35594

---

# SERIES 233 FLAIL MOWERS OWNER MANUAL



MAY 2026  
[www.taylorpittsburgh.com](http://www.taylorpittsburgh.com)



# TO THE PURCHASER

This manual contains valuable information about your new Taylor Pittsburgh Flail Mower. It has been carefully prepared to give you helpful suggestions for operating, adjusting, servicing and ordering repair parts.

Keep this manual in a convenient place for quick and easy reference. Study it carefully. You have purchased a dependable and sturdy Flail Mower, but only by proper care and operation can you expect to receive the service and long life designed and built into the product.

Sometime in the future your Flail Mower may need new parts to replace. If so, go to your dealer and provide them with the model and part number.

## Customer Information

Name \_\_\_\_\_

Purchased From \_\_\_\_\_

Date Purchased \_\_\_\_\_

Model No. \_\_\_\_\_

Serial No. \_\_\_\_\_

**It is the purchaser and/or operator's responsibility to....**

- I Read and understand the information contained in this manual.**
- I Operate, lubricate, assemble and maintain the equipment in accordance with all instructions and safety procedures in this manual.**
- I Inspect the equipment and replace or repair any parts that are damaged or worn which under continued operation would cause damage, wear to other parts, or cause a safety hazard.**
- I Return the equipment or parts to the authorized Taylor Pittsburgh dealer, from where it was purchased, for service or replacement of defective parts that are covered by warranty. (The Taylor Pittsburgh Factory or an Authorized Taylor Pittsburgh Dealer may inspect equipment or parts before warranty claims are honored.)**

# CONTENTS

<b>ITEM</b>	<b>PAGE</b>
Safety .....	6
Safety Training .....	8
Operational Safety.....	10
Transportation & Storage Safety .....	12
Safety Decals .....	13-15
Safety Signs Locations .....	16
Introduction & Specifications .....	17
Before Operation & Adjusting Height.....	18
Flail Mower Adjustment & Belt Tension.....	19
Attaching To Tractor.....	20
Sizing PTO Shaft .....	22
Service & Maintenance.....	23
Storage & Operation After Storage.....	24
Replacement Parts .....	25
Warranty .....	28

# SAFETY

READ AND FOLLOW THE INSTRUCTIONS IN THIS MANUAL AND ESPECIALLY IN THE SAFETY SECTION. FAILURE TO DO SO CAN RESULT IN SERIOUS INJURY OR DEATH.

TAKE NOTE! THIS SAFETY ALERT SYMBOL FOUND THROUGHOUT THIS MANUAL IS USED TO CALL YOUR ATTENTION TO INSTRUCTIONS INVOLVING YOUR PERSONAL SAFETY AND THE SAFETY OF OTHERS.



THIS SYMBOL MEANS  
**ATTENTION!**  
**BECOME ALERT!**  
YOUR SAFETY IS INVOLVED

## SIGNAL WORDS:

The signal words **DANGER**, **WARNING** and **CAUTION** are used with the safety messages in this manual and with each safety sign. They are defined as follows:

**DANGER:** Indicates an immediate hazardous situation that, if not avoided, could result in serious injury or death. This signal word is to be limited to the most extreme situations typically for machine components that, for functional purposes, cannot be guarded.

**WARNING:** Indicates a potentially hazardous situation that, if not avoided, could result in serious injury or death, and includes hazards that are exposed when guards are removed. It may also be used to alert against unsafe practices.

**CAUTION:** Indicates a potentially hazardous situation that, if not avoided, may result in minor or moderate injury. It may also be used to alert against unsafe practice.

If you have any questions not answered in this manual or require additional copies or the manual is damaged, please contact your dealer or Taylor Pittsburgh Mfg., Inc. P.O. Box 1200 Winfield, AL 35594 (205) 487-3202 or [www.taylorpittsburgh.com](http://www.taylorpittsburgh.com)

## EQUIPMENT SAFETY GUIDELINES



- I Safety of the operator and bystanders is one of the main concerns in designing and developing a Flail Mower. However, every year accidents occur which could have been avoided by a few seconds of thought and a more careful approach to handling equipment. You, the operator, can avoid many accidents by observing the following precautions and insist those working with you, or for you, follow them.
- I In order to provide a better view, certain photographs or illustrations in this manual may show an assembly with a safety shield removed. However, equipment should never be operated in this condition. Keep all shields in place. If shield removal becomes necessary for repairs, replace the shield prior to use.
- I Replace any safety sign that is not readable or is missing. Copies of such safety signs are shown in this manual.
- I Never use alcoholic beverages or drugs that can hinder alertness or coordination while operating this equipment. Consult your doctor about operating this machine while taking prescription medications.
- I **Under no circumstances should children under the age of 18 be allowed to work with this equipment. Do not allow persons to operate or assemble this unit until they have read this manual and have developed a thorough understanding of the safety precautions and of how it works.** Review the safety instructions with all users annually.
- I This equipment is dangerous to children and persons unfamiliar with its operation. The operator should be a responsible, properly trained and physically able person familiar with farm machinery and trained in this equipment's operations. If the elderly are assisting with farm work, their physical limitations need to be recognized and accommodated.
- I Use a tractor equipped with a Roll Over Protective System and seat belts. (ROPS)
- I Never exceed the limits of a piece of machinery. If its ability to do a job, or to do so safely, is in question- **DON'T TRY IT.**
- I Do not modify the equipment in any way. Unauthorized modification could result in serious injury or death and may impair the function and life of the equipment.
- I In addition to the design and the confirmation of this implement, including safety signs and safety equipment, hazard control and accident prevention are dependent upon the awareness, concern, prudence, and proper training of personnel involved in the operation, transport, maintenance, and storage of the machine. Refer also to safety messages and operation instruction in each of the appropriate sections of the tractor and Flail Mower manuals. Pay close attention to the safety signs affixed to the tractor and the Flail Mower.

## SAFETY TRAINING



- I Safety is a primary concern in the design and manufacture of our product. Unfortunately, our efforts to provide safe equipment can be wiped out by a single careless act of an operator or bystander.
- I In addition to the design and configuration of equipment, hazard control and accident prevention are dependent upon the awareness, concern, prudence and proper training of personnel involved in the operation, transport, maintenance and storage of this equipment.
- I It has been said, “The best safety device is an informed, careful operator.” We ask you to be that kind of operator. It is the operator’s responsibility to read and understand all safety and operating instructions in the manual and to follow them. Accidents can be avoided.
- I Working with unfamiliar equipment can lead to careless injuries. Read this manual, and the manual for your tractor, before assembly or operating, to acquaint yourself with the machines. If this machine is used by any person other than you, or is loaned or rented, it is the Flail Mower owner’s responsibility to make certain that owner's manual be available to the operator prior to operating and that the operator:
  - 1- Reads and understands the operator’s manuals.
  - 2- Is instructed in safe and proper use.
- I Know your controls and how to stop tractor, engine, and the Flail Mower quickly in an emergency. Read this manual and the one provided with your tractor.
- I Train all new personnel and review instructions frequently with existing workers. Be certain only a properly trained and physically able person will operate the machinery. A person who has not read and understood all operating and safety instructions is not qualified to operate the machine. An untrained operator exposes himself and bystanders to possible serious injury or death. If the elderly are assisting with farm work, their physical limitations need to be recognized and accommodated.

## PREPARATION



- I Never operate the tractor and Flail Mower until you have read and completely understand this manual, the Tractor Operator's Manual, and each of the safety messages found on the safety signs on the tractor and mower.
- I Personal protection equipment including hardhat, safety glasses, safety shoes, and gloves are recommended during assembly, installation, operation, adjustment, maintenance, repairing, removal, or moving the implement. Do not allow long hair, loose fitting clothing, or jewelry to be around equipment.
- I **PROLONGED EXPOSURE TO LOUD NOISE MAY CAUSE PERMANENT HEARING LOSS!** Tractors with or without Flail Mowers attached can often be noisy enough to cause permanent, partial hearing loss. We recommend that you wear hearing protection on a full-time basis if the noise in the operator's position exceeds 80 db. Noise over 80 db. on a long-term basis can cause severe hearing loss. Noise over 90 db. adjacent to the operator over a long-term basis may cause permanent, total hearing loss. **NOTE:** Hearing loss from loud noise (from tractors, chain saws, radios, and other such sources close to the ear) is cumulative over a lifetime without hope of natural recovery.
- I Operate the Flail Mower only with a tractor equipped with an approved Roll-Over-Protective System (ROPS). Always wear your seat belt. Serious injury or even death could result from falling off the tractor — particularly during a turnover when the operator could be pinned under the ROPS or the tractor.
- I Operate only in daylight or good artificial light.
- I Ensure the Flail Mower is properly mounted, adjusted and in good operating condition.
- I Ensure that all safety shielding and safety signs are properly installed and in good condition.

## STARTING AND STOPPING SAFETY



- I Check the tractor master shield over the PTO stub shaft. Make sure it is in good condition and fastened securely to the tractor. Replace with a new shield if old shield is damaged or missing.
- I All tractors that are not equipped with a "live" power takeoff (PTO) need to be equipped with an over-running PTO clutch. These are available through most farm equipment stores. **NOTE:** The addition of an over-running PTO clutch may change the length of the PTO driveline required. Pay extra attention to the instructions on the PTO driveline Installation. Be sure that the driveline system guarding is adequate.
- I The Flail Mower operating power is supplied from the tractor PTO. Refer to your tractor manual for PTO engagement and disengagement instructions. Know how to stop tractor and Flail Mower quickly in case of an emergency.

## OPERATIONAL SAFETY



This mower is designed for pulverizing grass and small brush, shrubs and vines. It is **not** intended for any other use! Using the product for anything other than its designed purpose could result in serious injury or death!

- I The use of this equipment is subject to certain hazards that cannot be protected against by the mechanical means or product design. All operators of this equipment must read and understand this entire manual, paying particular attention to safety and operating instructions, prior to using. If there is something in this manual you do not understand, ask your supervisor, or your dealer, to explain it to you.
- I Most accidents occur because of neglect or carelessness. Keep all helpers and bystanders at least several feet from an operating Flail Mower. Only properly trained people should operate this mower.
- I When the mower is operated in an area with people present, **operation must be stopped when anyone comes within 25 feet.**
- I The majority of the accidents involve entanglement on the driveline and operators being knocked off the tractor by low hanging limbs. Accidents are most likely to occur with mowers that are loaned or rented to someone who has not read the owner's manual and is not familiar with a Flail Mower and or a tractor.
- I The Flail Mower is designed for use only on tractors with **540-RPM** power take off.
- I Install and secure all guards and shields before starting or operating mower. The driveline guards and tractor shields should be used and maintained in good working condition. They should be inspected carefully, at least daily, for missing or broken cable, chain links, shields, or guards. (Worn items must be replaced at once to reduce possibility of injury)
- I Disengage power takeoff (PTO) and place transmission in neutral before attempting to start engine.
- I Many varied objects, such as wire, cable, rope, or chains, can become entangled in the operating parts of the mower. These items could then be thrown at great velocities. Such a situation is extremely hazardous. Inspect the area for such objects before mowing. Remove any like objects from the site.
- I Never allow the mower to contact such items. Never assume an area is clear.  
**Always Check!**



- I Always stop the tractor, disengage PTO, set brake, shut off the tractor engine, remove the ignition key, lower mower to the ground and allow to come to a complete stop before dismounting tractor. Never leave equipment unattended with the tractor running.
- I Never place hands or feet close to the Flail Mower with tractor engine running or before you are sure all motion has stopped. Stay clear of all moving parts.
- I Do not reach or place any part of your body close to equipment until it is stopped and blocked securely.
- I Do not allow riders on the tractor or mower at anytime. There is no safe place for any riders.
- I Do not operate unless all personnel, livestock, and pets are several feet away to prevent injury.
- I The rotating parts of this machine have been designed and tested for rugged use. However, they could fail upon impact with heavy, solid objects such as steel guardrails and concrete abutment. Such impact could cause the broken objects to be thrown outward. To reduce the possibility of property damage, serious injury, or even death, never allow the mower to contact such obstacles.
- I Stop the mower and tractor immediately upon striking an obstruction. Turn engine off, remove key, inspect and repair any damage before resuming operation.
- I Stay alert for uneven terrain, rocks, and roots and other hidden hazards. Keep away from drop-offs and hazards that could cause roll over. Use extreme care and maintain minimum ground speed when transporting or operating on hillsides, over rough ground and when operating close to ditches or fences. Be careful and slow down when turning sharp corners and changing direction on slopes. Do not start or stop suddenly on slopes. Avoid operation on steep slopes. In extremely uneven terrain, rear wheels weights, front tractor weight, and/or tire ballast should be used to improve stability.
- I Always check tractor manual for proper use on slopes.
- I When using a unit, a minimum 20% of tractor and equipment weight must be on tractor front wheels. Without this weight, tractor could tip over, causing personal injury or death. The weight may be attained with a front- end loader, front wheel weights, ballast in the tires or front tractor weights. When attaining a minimum 20% of tractor and equipment weight on the front wheels, you must not exceed the ROPS weight certification. Weigh the tractor and equipment. **Do not guess or estimate!**
- I Avoid contact with any overhead utility lines or electrically charged conductors.
- I Do not operate the mower when it is more than 12" above the ground level or the driveline may bind causing injury to the operator and damage to the equipment.
- I Objects and people can be thrown or become entangled in the unit.

## **TRANSPORT SAFETY**



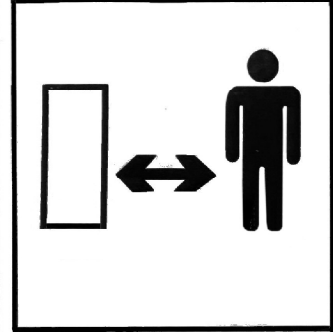
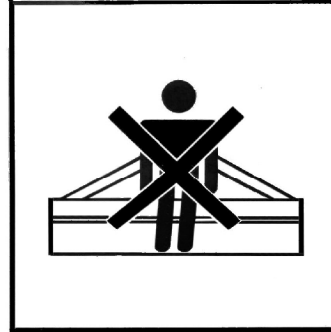
- I Comply with state and local laws governing highway safety and movement of farm machinery on public roads.
- I The use of flashing amber lights is acceptable in most localities. However, some localities prohibit their use. Local laws should be checked for all lighting and marking requirements.
- I At all times, when driving the tractor and equipment on the road or highway under 20mph (32kph) use flashing amber warning lights and a slow moving vehicle (SMV) identification emblem. Do not exceed 20 mph (32 kph). Reduce speed on rough roads and surfaces.
- I Plan your route to avoid heavy traffic.
- I Always install transport locks, pins or brackets before transporting.
- I Do not drink and drive.
- I Be a safe and courteous driver. Always yield to oncoming traffic in all situations, including narrow bridges, intersections, etc. Watch for traffic when operating near or crossing roadways.
- I Turn curves or go up or down hills only at a low speed and at a gradual steering angle. Make certain that a least 20% of the tractor's weight is on the front wheels to maintain safe steering. Slow down on rough or uneven surface. Always check tractor manual for proper use on slopes.
- I Be careful when turning sharp corners.
- I Never allow riders on either tractor or mower.

## **STORAGE SAFETY**

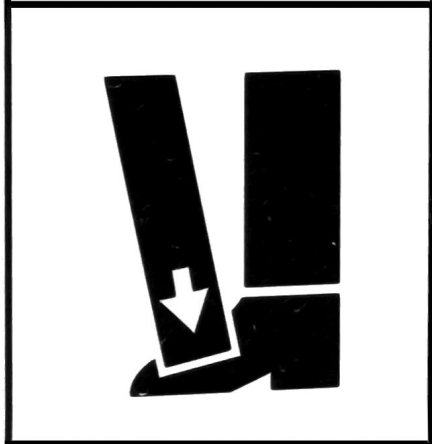


- I Following operation, or when unhooking the mower, stop the tractor, set the brakes, disengage the PTO, shut off the engine and remove the ignition keys.
- I Store the unit in an area away from human activity.
- I Do not park equipment where it can be exposed to direct contact to livestock for long periods of time. Damage and livestock injury could result.
- I Make sure all parked machines are on a hard, level surface and engage all safety devices.

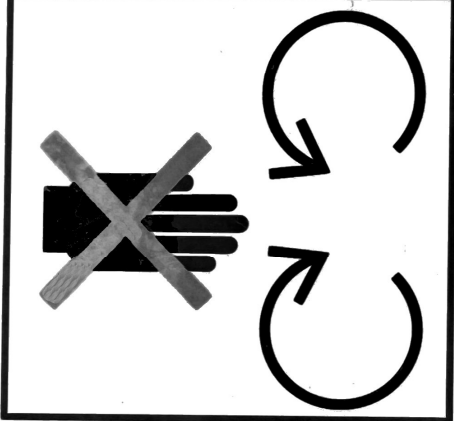
# SAFETY SIGNS



1



2



3



  
 7 03996 00518 8  
**MODEL NO.**  
**DESCRIPTION**  
**SN# XXXXXXXXXXXX**

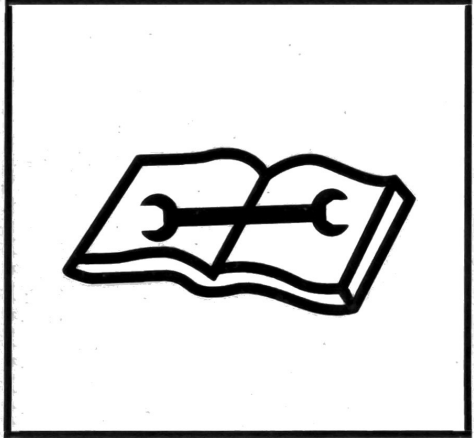
4

**Operators Manuals are  
 available from  
 your dealer or**

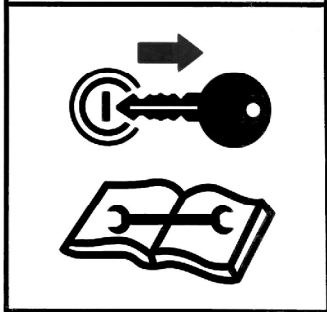
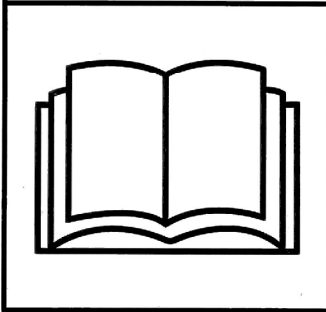
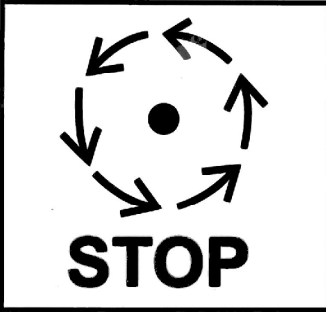
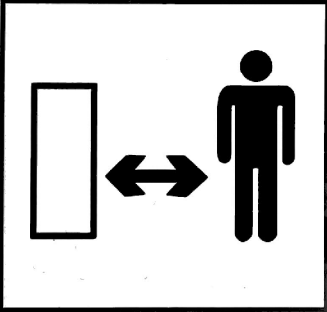
---

**Taylor Pittsburgh Mfg., Inc.**  
**P.O. Box 1200**  
**Winfield, AL 35594**  
**(205)487-3202**  
**www.taylorpittsburgh.com**

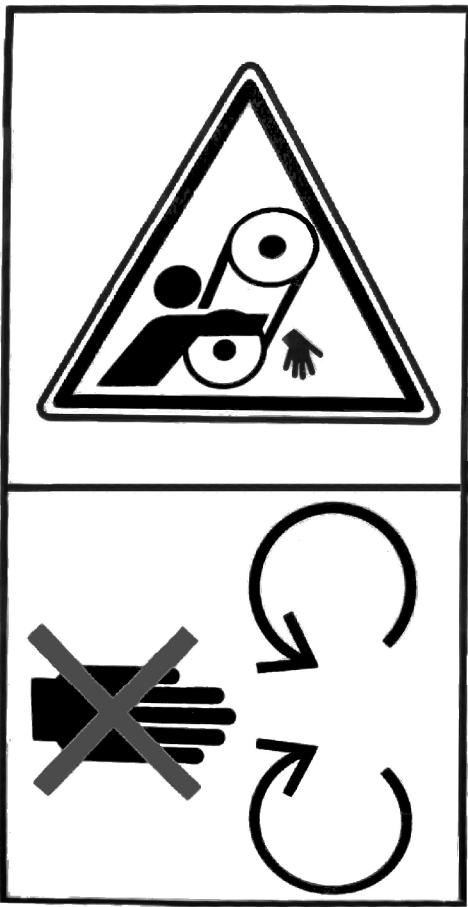
6



5



7



8



9

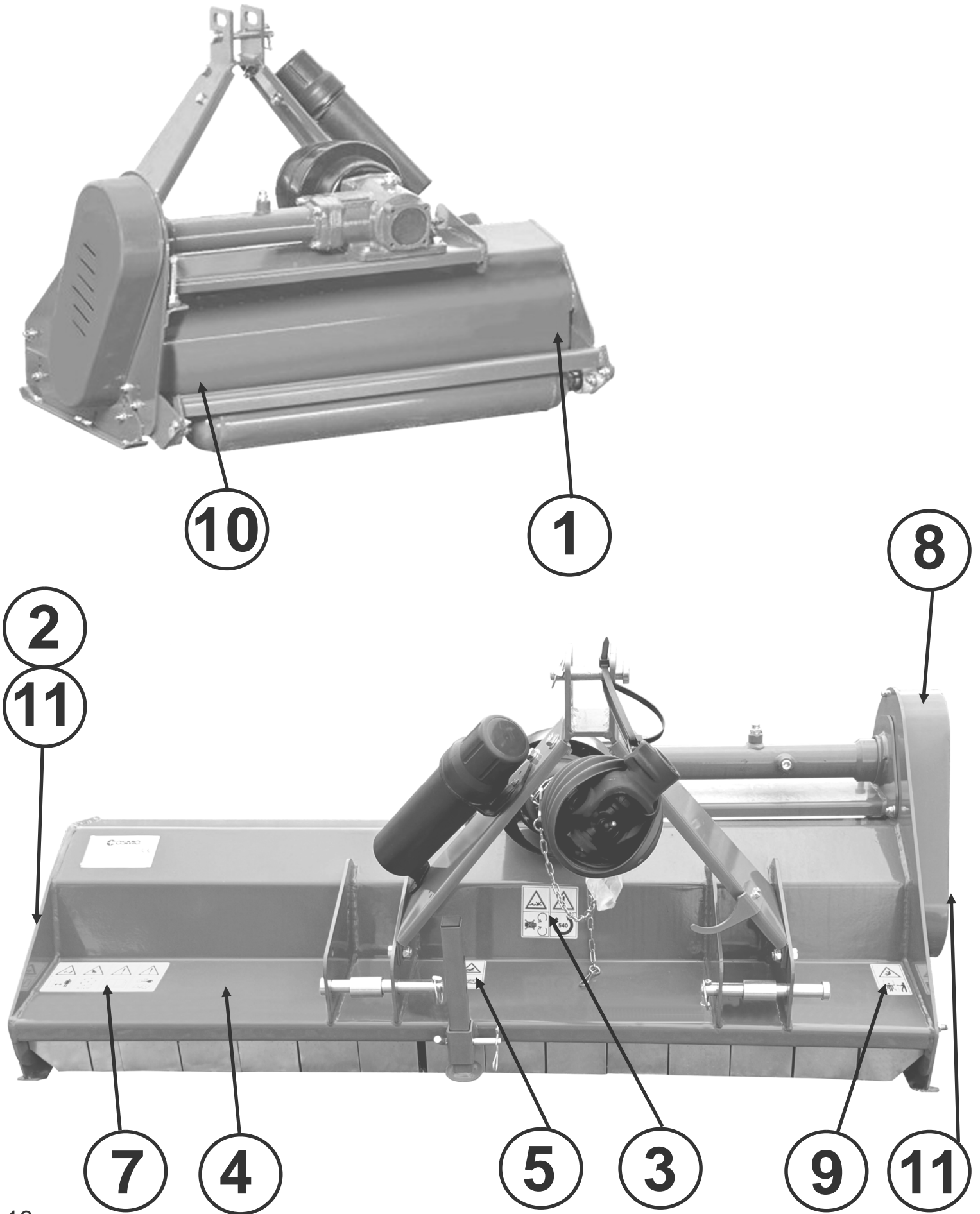


10



11

# SAFETY SIGNS LOCATIONS

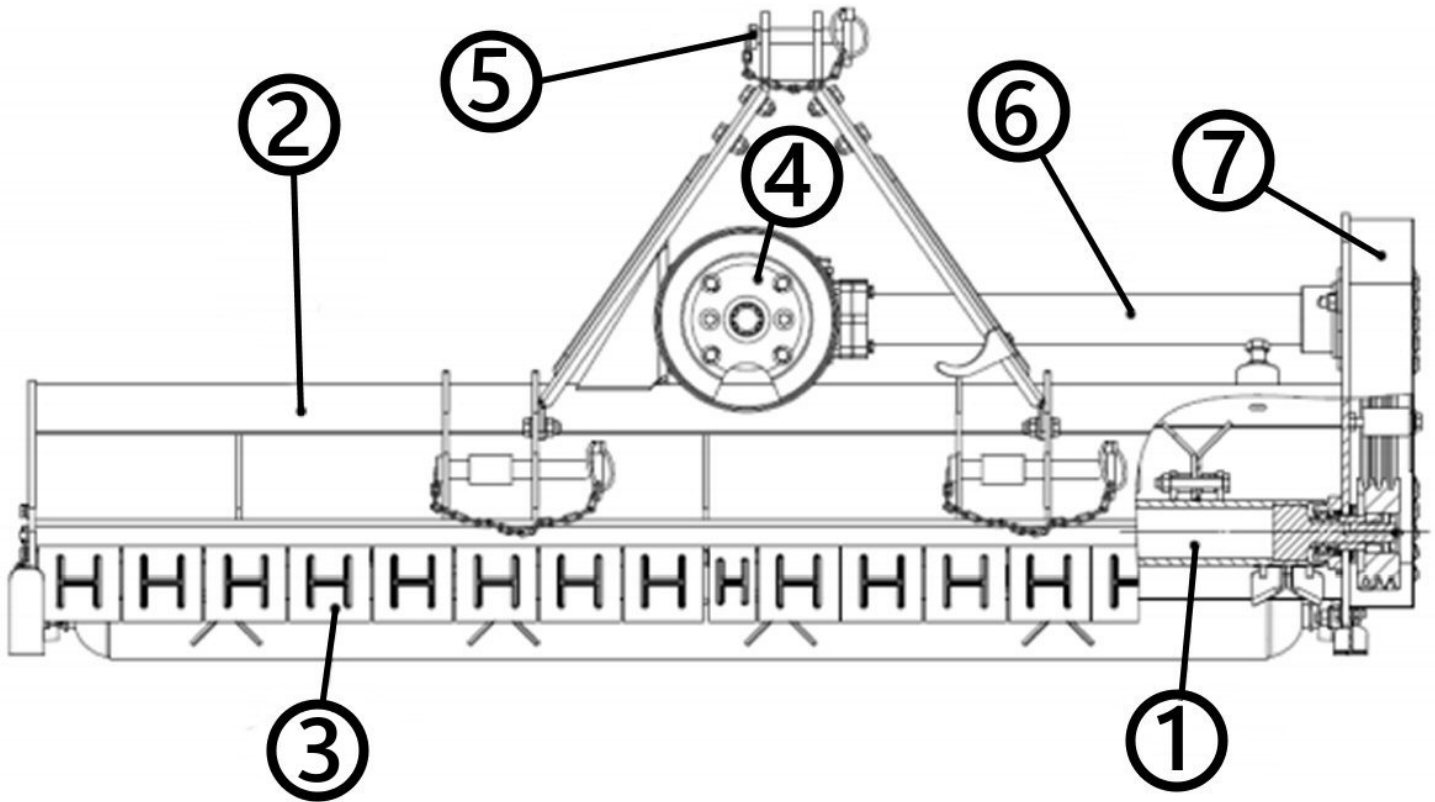


## Introduction

The flail mower is designed for pulverizing grass and small brush, shrubs and vines. It should only be used for its intended purpose only.

The flail mower consists of a rotating shaft with many blades attached to it. The blades cut the grass while traveling over the working area. Power to the shaft is provided by the tractor PTO, through the gear box of the mower.

The flail mower attaches to the 3-point hitch of the tractor.



## Main Components of the Flail Mower

1. Rotor    2. Machine Frame    3. Combined Fender    4. Gearbox Assembly  
5. 3-Point Hitch    6. Transmission Shaft    7. Side Belt Transmission

## SPECIFICATIONS

MODEL	233-FL-56-KK	233-FL-65-KK
Weight	419 lb.	518 lb.
Working Width	56 in.	64 in.
PTO RPM	540 RPM	540 RPM
Flail Type	Y Blade or Hammer Blade	
Number of Y Blades	48	52
Number of Hammer Blades	24	26
Tractor HP	25-35hp	30-40hp

# BEFORE OPERATION

**CAUTION:** Be familiar with the flail mower before starting. Read this manual carefully to learn how to operate the machine safely and how to set it up for maximum efficiency.

## Check Before Operating

**ATTENTION:** Before operating the flail mower, check the following areas.

1. Check and lubricate all grease points and all parts that require lubrication.
2. Use only a tractor of recommended horsepower for your specific mower.
3. Check that the mower is properly attached to the tractor. Be sure pin clips are secure on the lift pins and top link.
4. Be sure to check the weight distribution of the tractor to mower and add weight to front of tractor as needed.
5. Check the oil level in the gearbox and add as required.
6. Check that the PTO shaft turns freely and the shaft telescopes easily.
7. Check the mower blades to be sure they are not missing, damaged or broken and that they swing freely in their mount. Repair or replace as required.
8. Check and tighten the blade bolts.
9. Check for anything that may be entangled around all rotating parts and remove.
10. Install and secure all guards, doors and covers before starting.
11. Before installing the PTO shaft make sure the tractor and the mower are completely stopped. Make sure the PTO shaft is in good shape and all the parts are there.
12. Check the safety chains on the PTO shaft to be sure they are in good working condition in case the shaft turns accidentally.
13. All bystanders must keep a distance of 25 ft. before starting the mowing operation. The PTO shaft runs at 540 RPM.
14. Before you clean, repair or lubricate the mower, stop the tractor and remove the key.
15. Do not let anyone approach the mower while it is running.

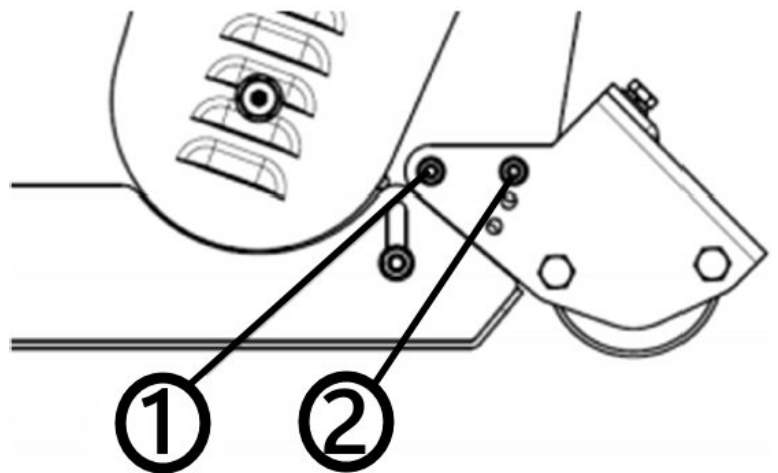
## ADJUSTING THE HEIGHT

To get the most out of your flail mower, it should be set within the recommended height.

To save fuel and power and to reduce wear and tear, the cutting height must be set properly.

When adjusting the working height, loosen screw (1), remove screw (2) on both sides. The roller height (see drawing) can be adjusted by aligning the selected hole in the roller support bracket at position 2. The lowest hole is the highest working height; put the

screw (2) into the selected hole; tighten screw (1) and (2).



## Flail Mower Adjustment

1. On flat ground, attach the Flail Mower to the Tractor using the three point linkage.
2. Use a solid adjustable top link
3. Lower the three point linkage to its lowest position.
4. With the roller at the rear in contact with the ground, adjust the length of the top link so that the lower edge at the side of the flail mower is parallel with the ground.
5. Rotate the blade drum by hand so that a row of blades hang vertically towards the ground.
6. Measure the clearance between the bottom of the extended blades and the ground.  
**Minimum of 2" or 50 mm.**



**NOTE:** In rough or lumpy ground the clearance needs to be increased to ensure that the blades don't impact the ground during operation.

7. Adjust the roller height to increase or decrease the blade clearance as required.
8. Go through steps 4 to 7 until the required clearance is achieved.

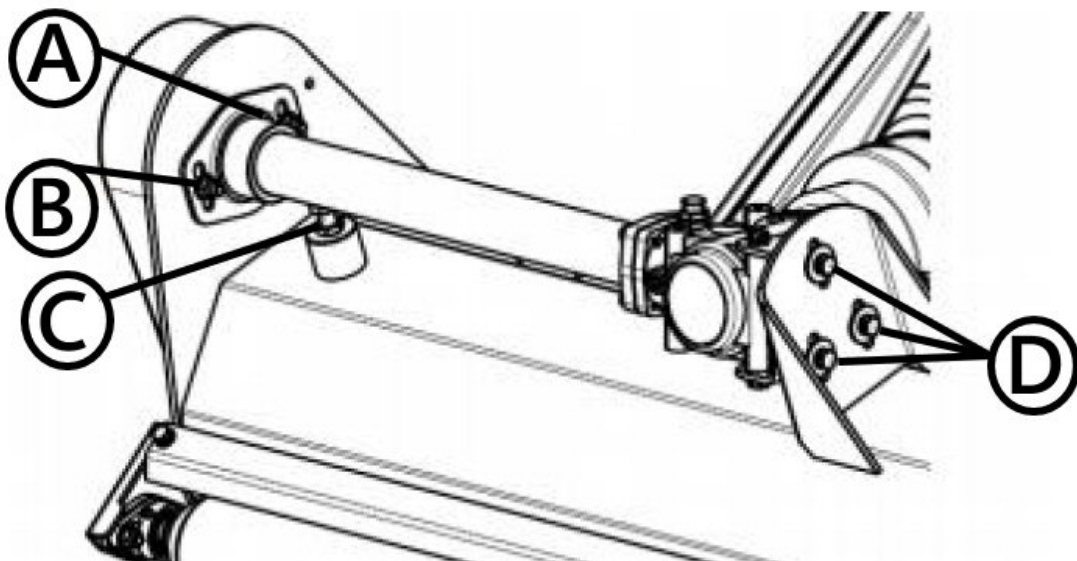
When the Flail Mower has been set up with the required tolerances : Operate the Flail Mower with tractor in low range and the PTO delivering 540 RPM.

## Regulating the Tension of Driving Belt

**ATTENTION:** The mower should always be stopped when adjusting the tension.

Remove the driving belt cover.

1. Loosen the Screw A and B that locks the support shaft and loosen the counter nut C.
2. Loosen the screws that lock the gear box on the mounting plate D.
3. Adjust the drive belt tension. The correct belt tension is achieved when the belt can be deflected by the belt thickness about 13/32" (10mm) at the center point between the pulleys.
4. Align the gearbox so the drive shaft is parallel with the body.
5. Use a straight edge to make sure the belt pulleys are in line and running true. If misaligned call your dealer or service agent for technical support.



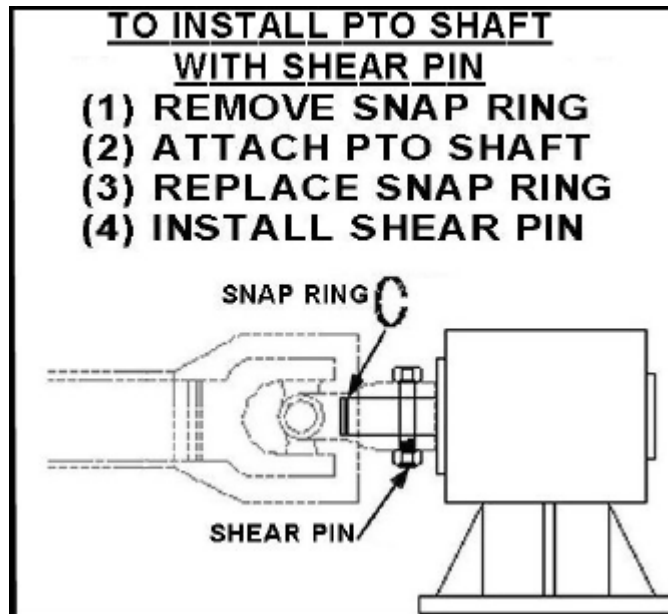
## ATTACHING TO TRACTOR



### **WARNING**

Never stand between tractor and mower while backing up tractor to the hitch.

**STEP 1** Attach to tractor's category 1 three point hitch as described in the Tractor's Operator's Manual.



### **WARNING**



Failure to install retaining clip on gearbox input shaft would allow driveline to swing freely if bolt is sheared causing possible injury or death.

### **STEP 2**

Determine if the PTO shaft needs to be shortened.

### **NOTE:**

Due to the many variations in the tractor hitch points and distances between equipment gearbox input shaft and tractor PTO output shafts, some combinations may require PTO shafts to be shortened as described by the following steps.

### **STEP 3**

Raise and lower mower in order to locate the shortest distance between equipment gearbox input shaft and tractor PTO output shaft. With the finishing mower in the shortest distance position shut down the tractor and **SECURELY BLOCK MOWER IN POSITION.**

### **STEP 4**

Pull apart PTO shaft and attach outer section to tractor PTO output shaft. **NOTE:** Be sure to pull on PTO shaft section to ensure yoke has locked into place.

## **ATTACHING TO TRACTOR** *continued....*

### **STEP 5**

Place and hold inner PTO shaft section next to outer section and check if PTO shaft is too long. Each section should end approximately 3 inches short of reaching u-joint shield on the opposite section. If the shaft is too long measure 3 inches back from each u-joint shield and mark the other shaft section. Be sure to do this for both PTO shaft halves. NOTE: Do not cut PTO shaft sections at this time.

### **STEP 6**

Raise mower and remove blocking. Raise and lower mower in order to locate the longest distance between equipment input shaft and the tractor PTO output shaft. With the mower in the longest distance position shut down the tractor and **SECURELY BLOCK THE MOWER IN POSITION.**

### **STEP 7**

As in step 5 hold PTO shaft sections together and check for a minimum of 6 inches of overlap. If PTO shaft has been marked for cutting the overlap is the distance measured between the two marks. If the PTO shaft has less than a 6 inch overlap, **DO NOT USE.** Contact your authorized King Kutter Dealer.

### **NOTE**

If the PTO shaft length is too long go to **SIZING PTO SHAFT (pg. 22)**

### **STEP 8**

Apply any multi-purpose grease to the outside of the male (inner) PTO shaft section. Assemble PTO shaft and install on mower and tractor.

**WARNING** - Failure to install retaining clip on gearbox input shaft would allow driveline to swing freely if bolt is sheared causing possible injury or death.

### **STEP 9**

Pull on tractor side of PTO shaft yoke to be sure it has locked in place. Make certain PTO shaft shielding is in place and good working condition.

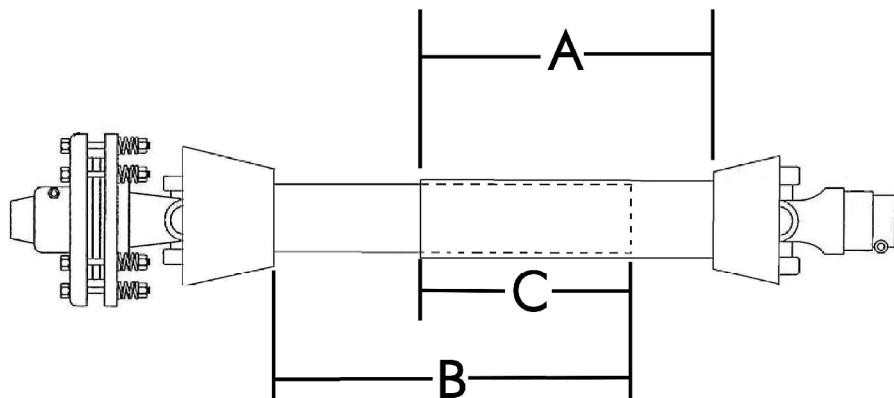
### **STEP 10**

The PTO shaft shield is a non-rotating design and must be secured prior to equipment use. Using the chain on each yoke shield attach to a fixed object on the tractor and equipment ends that will not allow the PTO shaft shield to rotate during operation.

## SIZING PTO SHAFT

### CHECK DRIVELINE FOR MINIMUM OVERLAP

With PTO shaft hooked to tractor & Flail Mower raise and lower mower to find PTO's longest extended point and at that point measure length of cover of the PTO at **(A)**, transfer the measurement of **(A)** to **(B)**, mark cover at the end of measurement of **(B)**,



### STEP 1

Cutting the PTO shaft to length. **NOTE:** Be sure to cut equal lengths of each PTO shaft section. Clamp end of PTO shaft in a vice and cut off shield where marked. **(Figure 1-A & 1-B)**

### STEP 2

Using cut section of the shield as a guide cut shaft off the same amount. **(Figure 2)**

### STEP 3

Repeat steps 1 and 2 for other PTO shaft section.

### STEP 4

Use a file to deburr PTO shafts. Clean up all chips, burrs and filings from both ends of the PTO shaft.



**Figure 1-A**



**Figure 1-B**



**Figure 2**

# SERVICE AND MAINTENANCE

## SERVICE

### Fluids and lubricants

1. Grease: Use multi-purpose lithium based grease.
2. Gearbox Oil: Use N46 or AW46 drive & hydraulic dual-purpose oil or equivalent for all operating conditions. Gearbox Capacity: 0.85 liter or (almost a quart)
3. Storing Lubricants: Your machine can operate at top efficiency only if clean lubricants are used. Use clean containers to handle all lubricants. Store them in an area protected from dust, moisture and other contaminants.

## GREASING

- Use a hand-held grease gun for all greasing.
- Wipe grease zerk with a clean cloth before greasing, to avoid injecting dirt and grit.
- Replace and repair broken zerk immediately.
- If zerk will not take grease, remove and clean thoroughly. Also clean lubricant passageway. Replace zerk if necessary.
- Check the oil in gearbox. Add oil if necessary.
- Every 8 hours, grease each end of the blade axle 3-5 shots (**See Figure 1 Below**), PTO shaft universal joints (2), and PTO telescoping surface. (**See Figure 2 Below**)



## MAINTENANCE

**ATTENTION:** All maintenance, repairs, cleaning and lubricating should be conducted when the tractor and mower are stopped and the key is removed.

By following a careful service and maintenance program for your mower, you will enjoy many years of trouble-free operation.

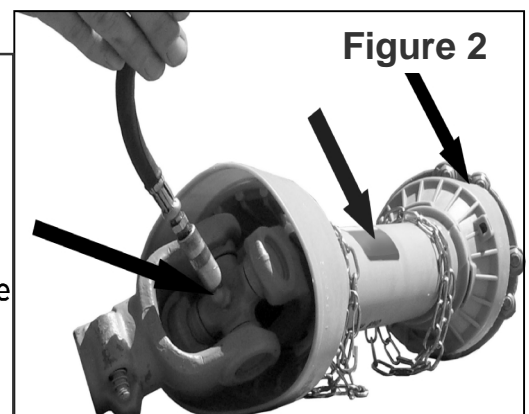
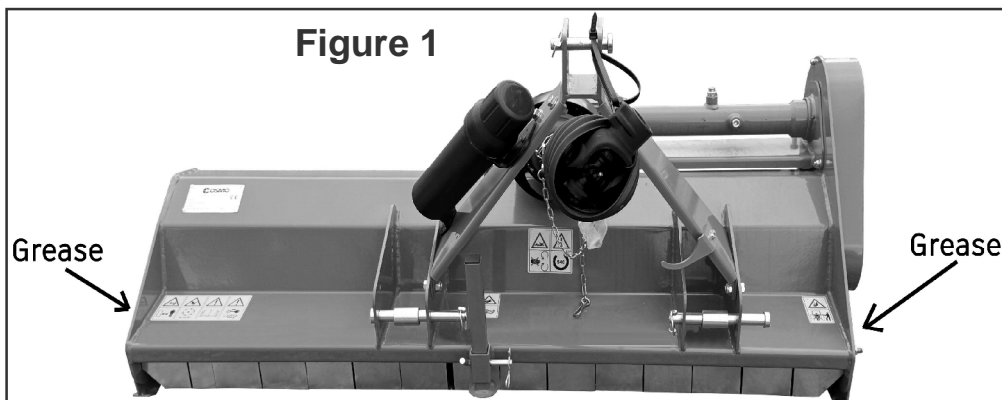
The period recommended is based on normal operating conditions. Severe or unusual conditions may require more frequent maintenance.

## 8 HOURS OR DAILY MAINTENANCE

- Check and tighten all nuts and bolts on mower.
- Check the blade and parts every day and replace parts that are damaged. Don't install damaged, worn and unbalanced blades. A new sleeve should be used when replacing the blades.

**NOTE:** The operator should wear gloves and use the correct tools while changing the blade.

- Clean the mower; remove all grass, debris and dirt.



## **STORAGE**

The mower should be cleaned thoroughly to avoid corrosion.

Don't spray water on the roller bearing, if you clean the mower with high pressure sprayer.

Check and clean the PTO shaft, driving belt press roller, or replace them if they are worn or damaged.

Put a light coat of oil on parts to resist corrosion.

Repaint the parts scratched and damaged to deter corrosion.

Store the mower in a dry, level area. Block the mower for storage.

## **OPERATION AFTER STORAGE**

Before the mower is started up, check the following items regularly:

Check oil level and add if it is low.

Check and tighten all bolts and nuts.

Check the overall condition of the mower.

Check the condition of the blades.

Check the air hole on the gearbox. If it is blocked, clean or open the hole with compressed air.

Don't get oil or grease on the driving belts. If there is oil or grease on the belts, wipe the belts, to prevent the belt from slipping and wearing.

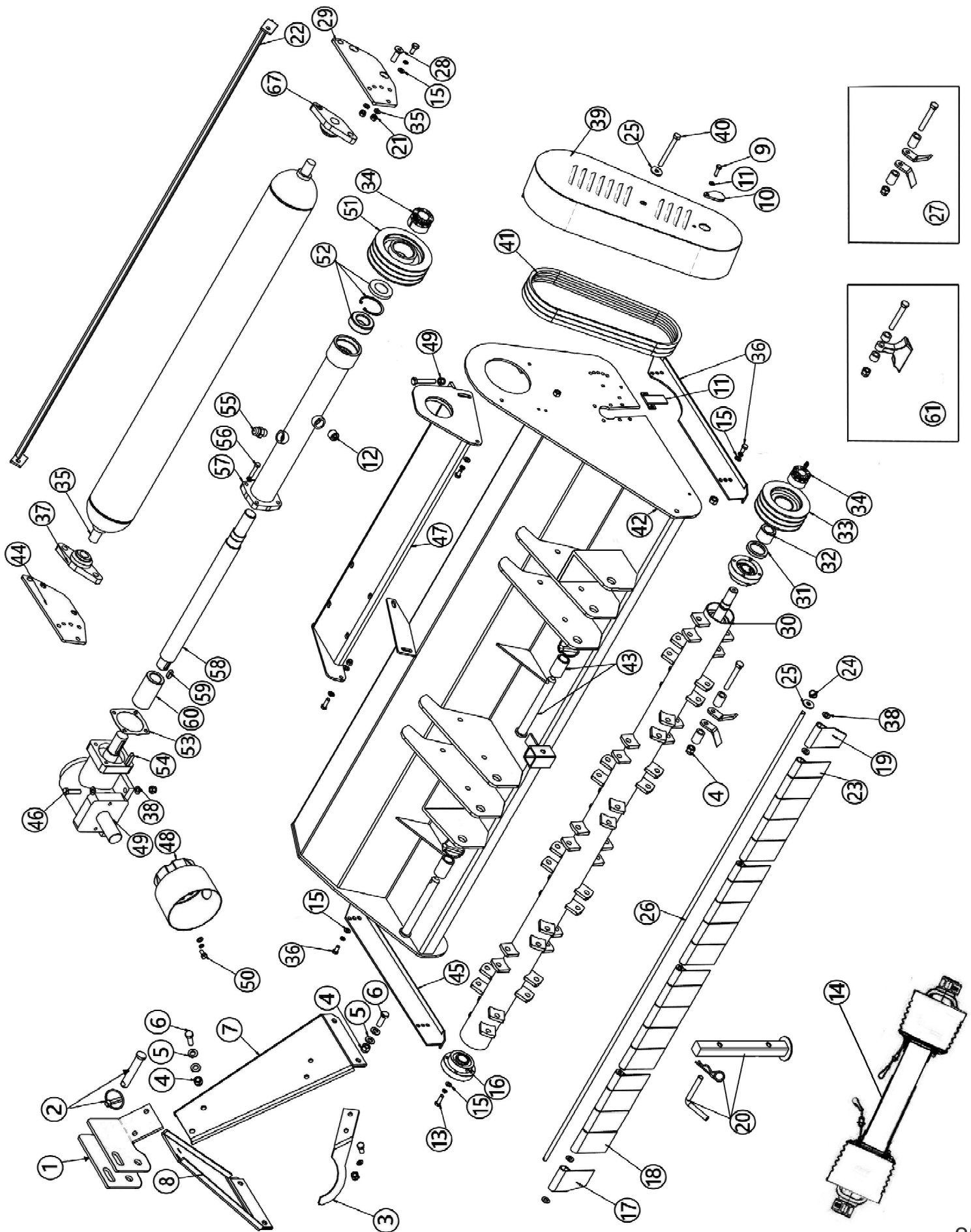
**ATTENTION: Check the machine every 10 hours. Repair or replace the damaged parts according to the manufacturer's recommendation, to keep the machine in good working condition.**

Check all parts, to make sure that they are in good condition and replace them if necessary.

Don't remove the protective shields that protect the mower and operator.

**ATTENTION: In the case of vibration, stop the mower and check the blades. If the blade has broke or is damaged, replace it with same type of blade. If the mower still vibrates, call your authorized dealer.**

# SERIES 233 FLAIL MOWER PARTS DIAGRAM



## FLAIL MOWER PARTS

Ref. No.	Part Name	Part #
1	TOP LINK BRACKET	39180000
2	TOP LINK PIN w/LYNCH PIN	50710000
3	PTO HANGER FLAIL MOWER	50710100
4	NUT 12MM	39188400
5	WASHER 12MM	39188300
6	BOLT 12MM x 30MM	39188200
7	LIFT ARM LH FLAIL MOWER	39180300
8	LIFT ARM RH FLAIL MOWER	39180400
9	6MM X 20MM BOLT	39187600
10	COVER	39187400
11	GREASE NIPPLE COVER	39187500
12	PLUG ZG 3/8" -19	39187300
13	BOLT 8MM x 25MM	39188100
14	26" PTO SHAFT	14712600
15	WASHER 8	39188000
16	BEARING UC205 W/SEAT	39180900
17	FENDER	39181000
18	FENDER	39181100
19	FENDER	39181200
20	KICK STAND ASSEMBLY	50710200
21	SCRAPER FOR FL-56-KK SCRAPER FOR FL-65-KK	39187000 39187100
22	10MM NUT	39187200
23	FENDER	39181300
24	COTTER PIN 4MM x 30MM	39187900
25	10MM FLAT WASHER	39183600
26	SHAFT FOR FENDER FL-56-KK SHAFT FOR FENDER FL-65-KK	39181700 39181800
27	Y BLADE PACKAGE (2 BUSHINGS, 2 BLADES, 1 BOLT, 1 NUT)	50710300
28	10MM X 25MM COUNTER SUNK SCREW	39186900
29	CONNECTION PLATE REAR ROLLER RH	39186800
30	AXLE FL-56-KK AXLE FL-65-KK	39182300 39182400
31	OIL SEAL 40 X 55 X 8	39182500
32	BUSHING	39182600
33	SMALL PULLEY	39182700
34	POWER LOCK W/GREASE ZERK	50710400
35	REAR ROLLER WELDMENT FL-56-KK REAR ROLLER WELDMENT FL-65-KK	39186600 39186700
36	LEFT HAND SKID KIT	50710500
37	BEARING L204	39186500

## FLAIL MOWER PARTS

Ref. No.	Part Name	Part #
38	10MM FLAT WASHER	39183300
39	SIDE BELT COVER	39183400
40	10MM X 80MM BOLT	39183500
41	BELT A930 (PKG 3)	50711200
42	DECK WELDMENT FOR FL-56-KK DECK WELDMENT FOR FL-65-KK	39183800 39183900
43	HITCH PIN KIT	50710600
44	CONNECTION PLATE REAR ROLLER LH	39186400
45	RIGHT HAND SKID KIT	50710700
46	10MM X 35MM BOLT	39187700
47	GEARBOX WELDMENT BRACKET FOR FL-56-KK GEARBOX WELDMENT BRACKET FOR FL-65-KK	50710800 50710900
48	PTO SHAFT GUARD	39186200
49	GEARBOX FLAIL MOWER	39186300
50	8MM X 10MM BOLT	39187800
51	LARGE PULLEY	39184800
52	OIL SEAL,SNAP RING,BRG. KIT	50711000
53	GASKET	39186000
54	KEY A 10*45	39186100
55	BREATHE BOLT	39185200
56	8MM X 40MM BOLT	39185300
57	TRANSMISSION SHAFT WELDMENT FOR FL-56-KK TRANSMISSION SHAFT WELDMENT FOR FL-65-KK	39185400 39185500
58	SHAFT FOR FL-56-KK SHAFT FOR FL-65-KK	39185600 39185700
59	KEY A 10*30	39185800
60	CONNECT BUSHING	39185900
61	HAMMER BLADE PKG. (2 BUSHINGS, 1 BLADE, 1 BOLT, 1 NUT)	50711100



## LIMITED WARRANTY

TAYLOR PITTSBURGH MFG., INC. the manufacturer, warrants only to the Original Purchaser that this equipment, under normal use and service, will be free from defects in material and workmanship for one (1) year from date of purchase providing this equipment is purchased for individual and not for commercial use. Warranty for commercial usage is 90 days. This warranty does not apply to any equipment which has been damaged or which has been subjected to abuse, misuse, negligence, abnormal wear and tear, alterations, tampering, or failure to follow operating instructions. This warranty does not cover any product or parts not manufactured by TAYLOR PITTSBURGH MFG., Inc.

Under this warranty, the manufacturer will repair or replace any part which the manufacturer determines has failed during the period of the warranty due to defects in material or workmanship. After approval by the manufacturer, the equipment or defective part must be returned to TAYLOR PITTSBURGH MFG., INC., Winfield, AL 35594.

Warranty coverage and performance is expressly conditioned on the return of the completed registration form to TAYLOR PITTSBURGH., INC., Winfield, AL 35594.

PURCHASER'S EXCLUSIVE REMEDY FOR BREACH OF WARRANTY, OTHER DEFECT, OR CONDUCT GIVING RISE TO LIABILITY SHALL BE THE REPAIR OR REPLACEMENT OF THE PRODUCT SOLD, AND THE MANUFACTURER UNDER NO CIRCUMSTANCES SHALL BE LIABLE FOR ECONOMIC LOSS OR INCIDENTAL OR CONSEQUENTIAL DAMAGES. THE MANUFACTURER DISCLAIMS ALL IMPLIED WARRANTIES, INCLUDING THE WARRANTY OF MERCHANTABILITY AND FITNESS FOR PURPOSE.

Taylor Pittsburgh Mfg., Inc. reserves the right to make improvements and changes in specifications without notice or obligation to modify previous sold units.

This manual describes the proper assembly procedures for your implement and furnishes operating and maintenance recommendations to help you obtain long and satisfactory service.